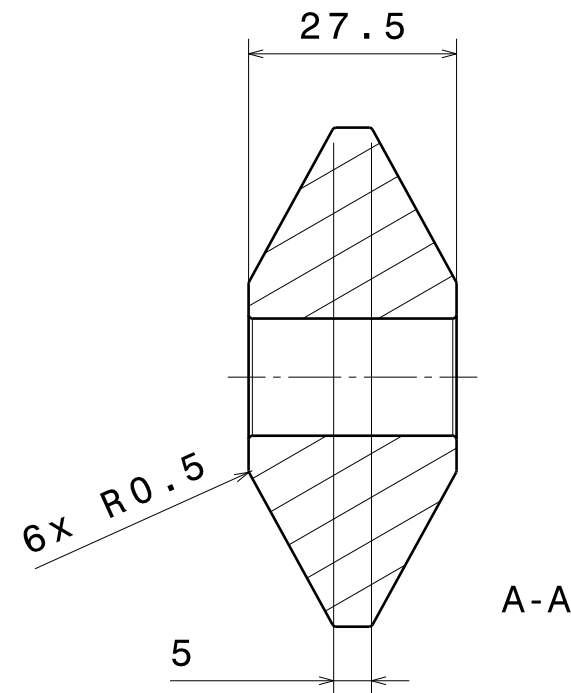
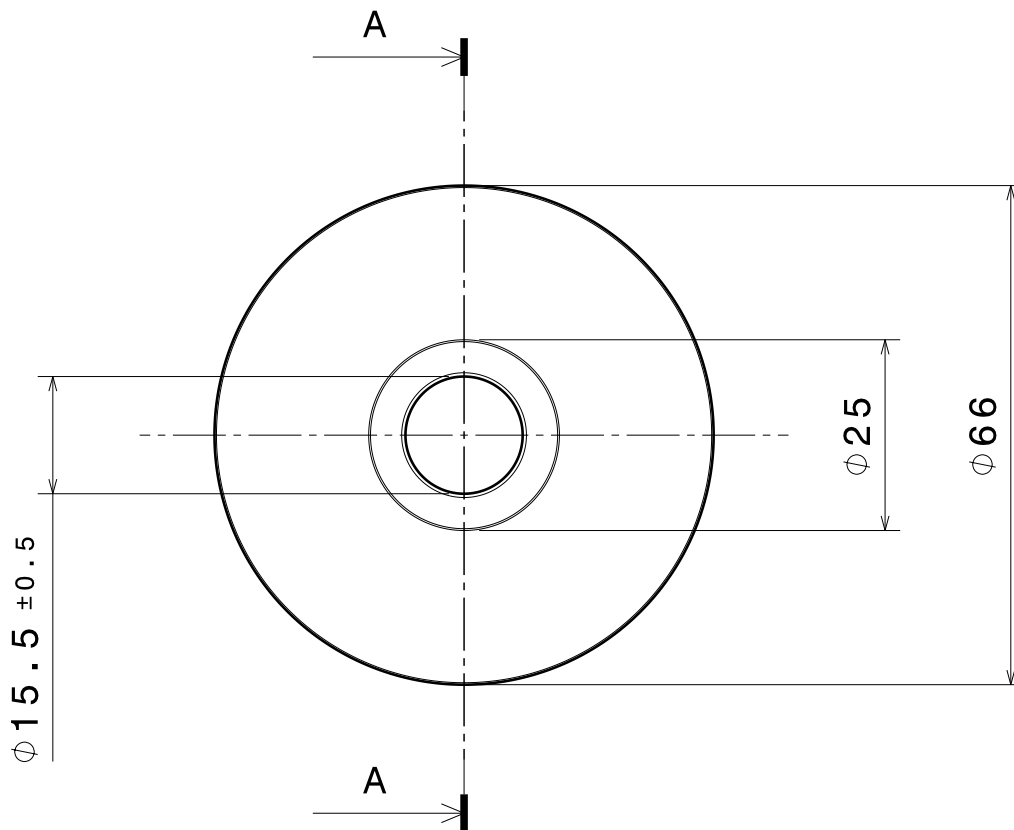


D

C

B

A



Unless otherwise stated, the following applies.

MATERIAL

Polyuretan

SIZE TOLERANCE

$\pm 1$

CLASS / QUALITY

-

BLANK DIMENSION

-

CONDITION / REFERENCE

-

This drawing is our property. It can't be reproduced or communicated without our written agreement.

DESIGNED BY

henning

CHECKED BY

-

APPROVED BY

-

DATE

-

DATE

-

# TeknikRitaren

DRAWING TITLE

Motorkudde främre Saab 99

DRAWING NUMBER

-

2015-05-30

SCALE

1:1

SHEET

1/1

SIZE

A4

REV

-

1

2

3

4

D

A

4

3

2

1