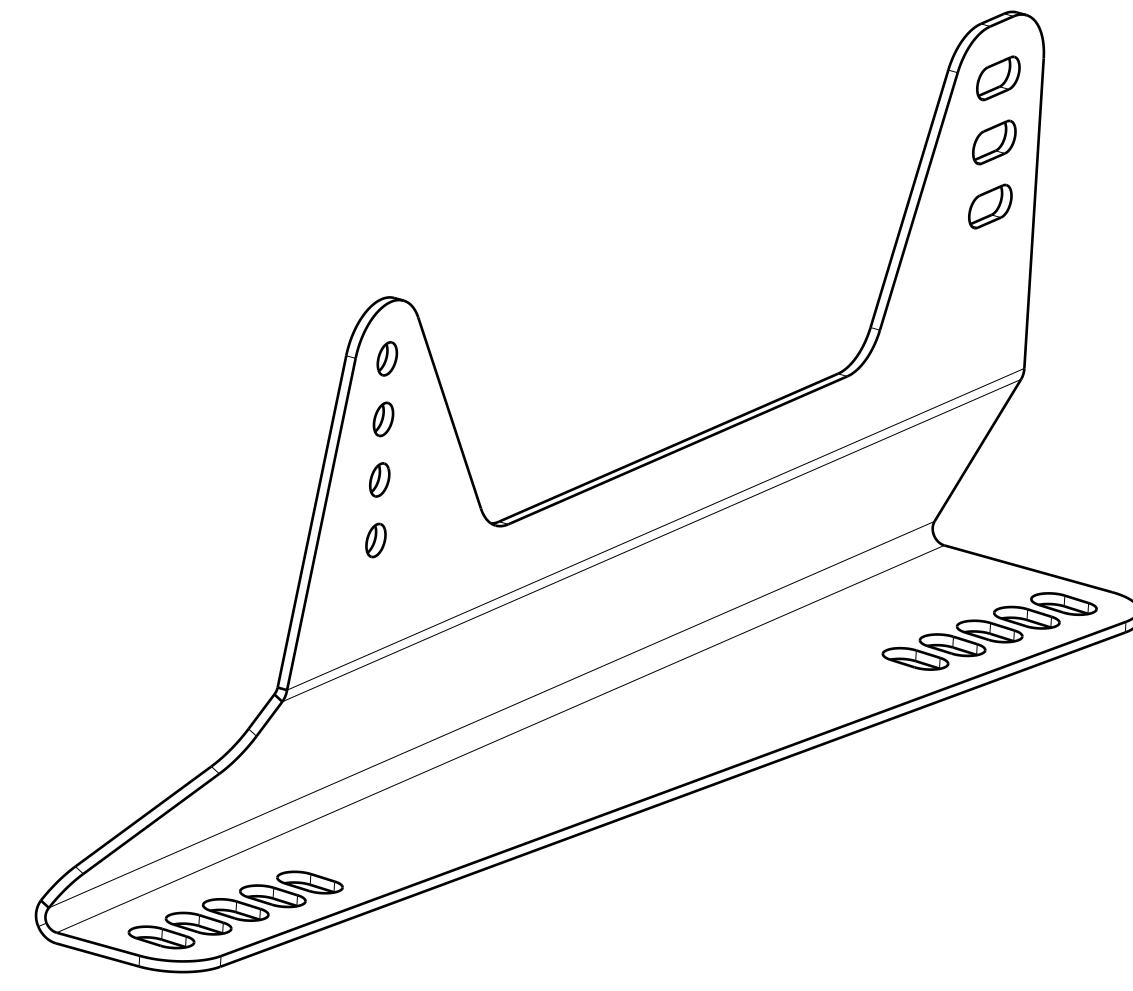
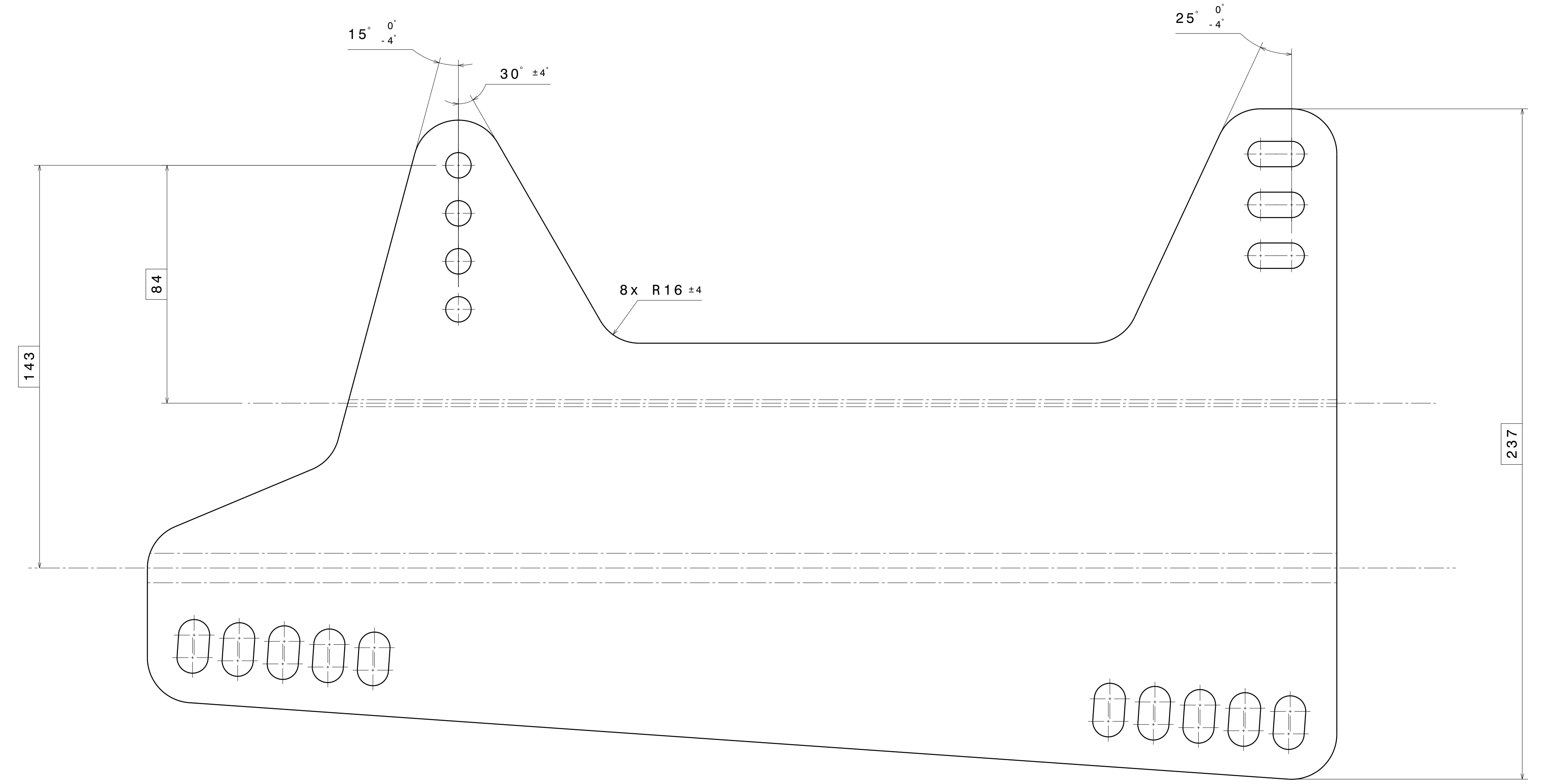


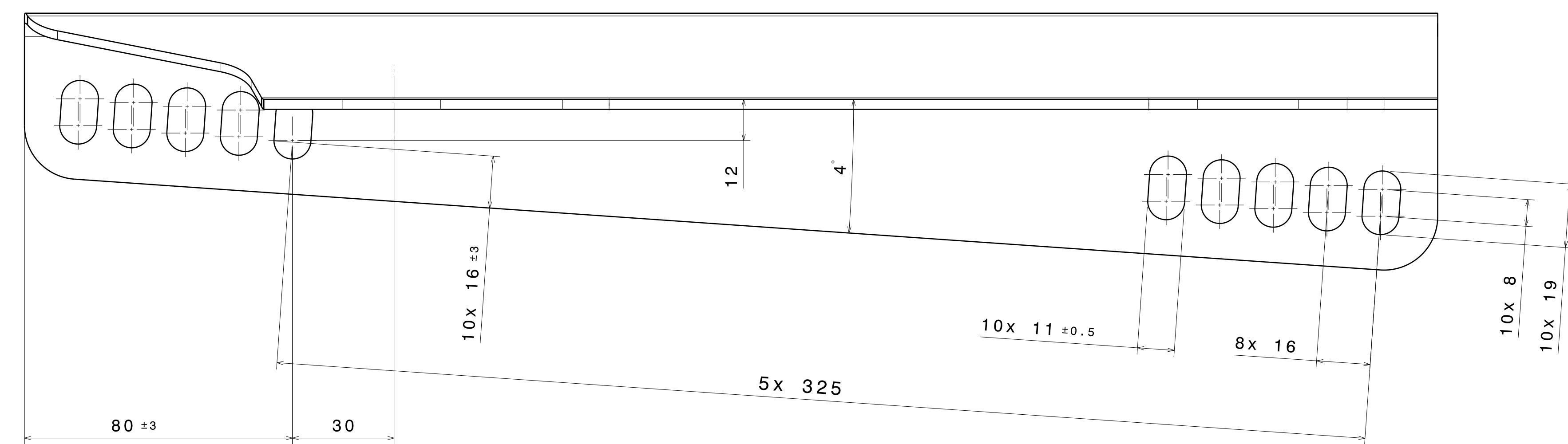
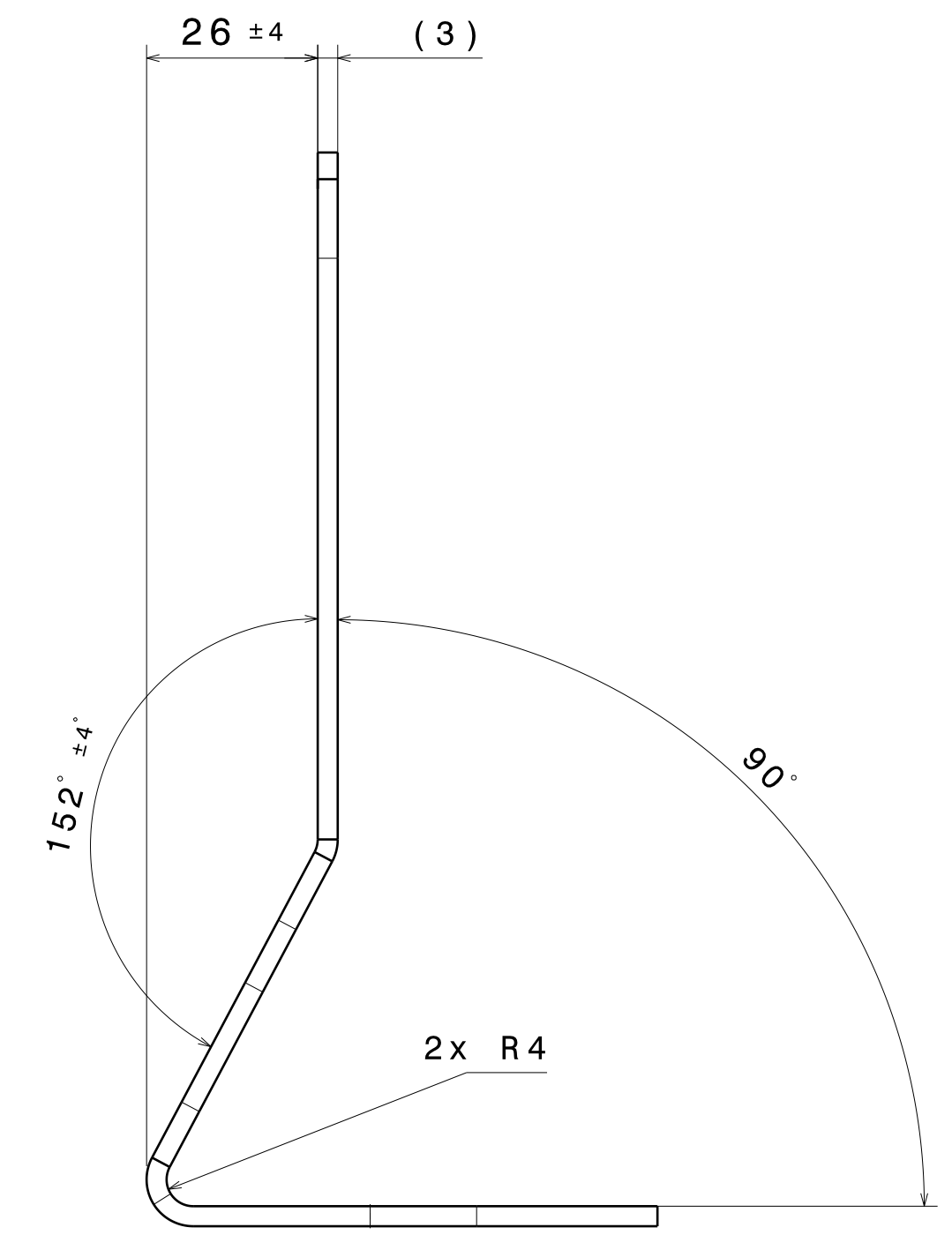
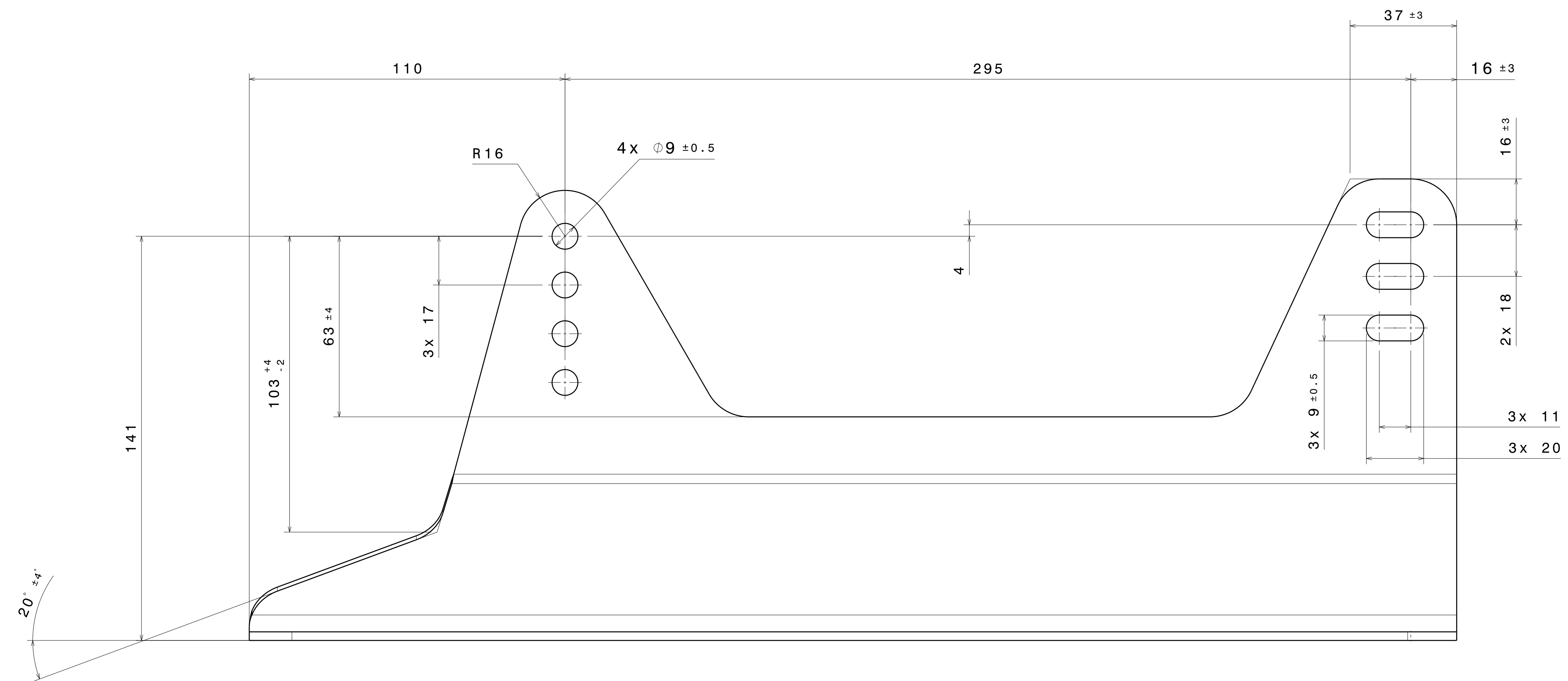
Isometric view Right hand
Scale: 1:2



Isometric view Left hand
Scale: 1:2



Unfolded view



Views are showing left hand version.
Reference for right hand version see iso view.

Unless otherwise stated, the following applies.		This drawing is our property. It can't be reproduced or communicated without our written agreement.		TeknikRitaren	
MATERIAL	Steel	SIZE TOLERANCE	±2mm; ±2°	DRAWING TITLE	
CLASS / QUALITY	-	BLANK DIMENSION	t=3±0,5mm	Seat bracket Sparco	
DESIGNED BY	Hening	CHECKED BY	-	DRAWING NUMBER	REV
DATE	-	DATE	-	2012-04-16	1/1
CONDITION / REFERENCE	-	APPROVED BY	-	SCALE	1:1
				SHEET	1/1
				SIZE	A0